

COMPANY NAME:

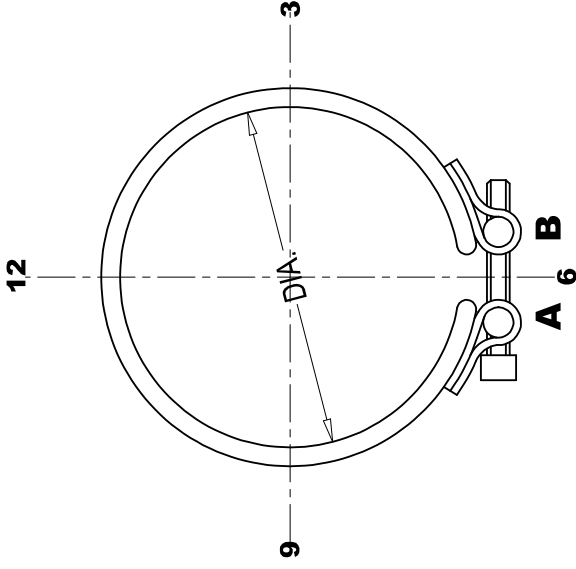
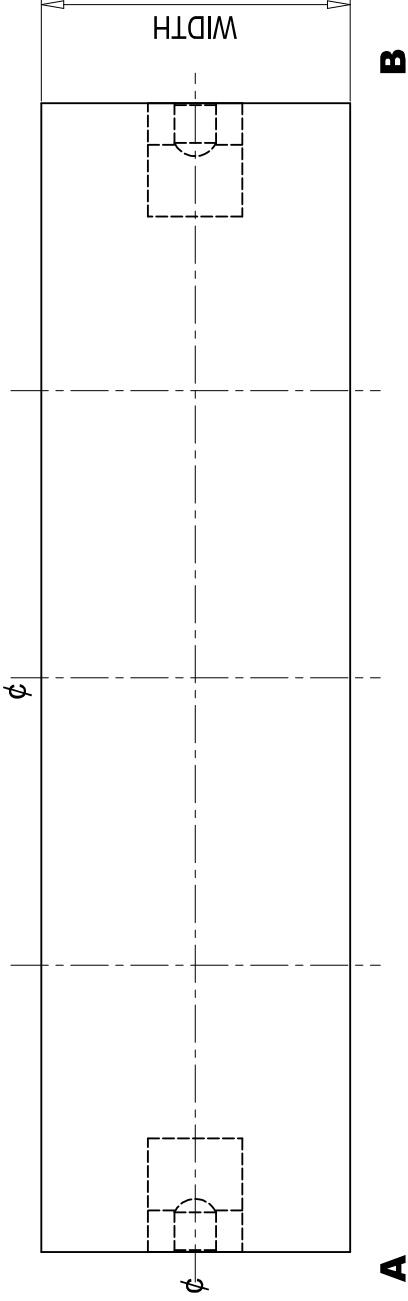
CONTACT NAME:

TEL:



DIAMETER =mm

WIDTH =mm

DEVELOPMENT VIEW



NUMBER OF SETS OF CLAMPS IS DETERMINED BY WIDTH OF BAND AND IS STANDARD.

CLIENT SPECIFICATIONS		SPECIAL INSTRUCTIONS	
VOLTS:			
WATTS:			
TAIL TYPE:			
TAIL LENGTH:			
TERMINATION TYPE:			
TERMINATION DIRECTION:			
		* ALL DIMENSIONS ARE TO THE INSIDE, UNLESS SPECIFIED	
P.O. Box 24110 Lansdowne 7780 Cape S.A. Tel:(021)762 8995 Fax:(021)762 8996		NOTE: This document is the property of Thermon Manufacturing Company and/or its subsidiaries, protected by copyright and must not be made public,forwarded or copied without our express written permission.	
			
DRAWN BY: SIMAZILE		SCALE: 1:2	
CHECKED BY:		DRAWING NO.: HBY	
DATE: 25/07/2017		TITLE: BAND ELEMENT	

Thermon: Band Heaters Drawing Template



Thermon
South Africa (Pty) Ltd.

www.thermon.co.za
CPT: +27 21 762 8995
JHB: +27 11 966 9800