

TracePlus™ PCS

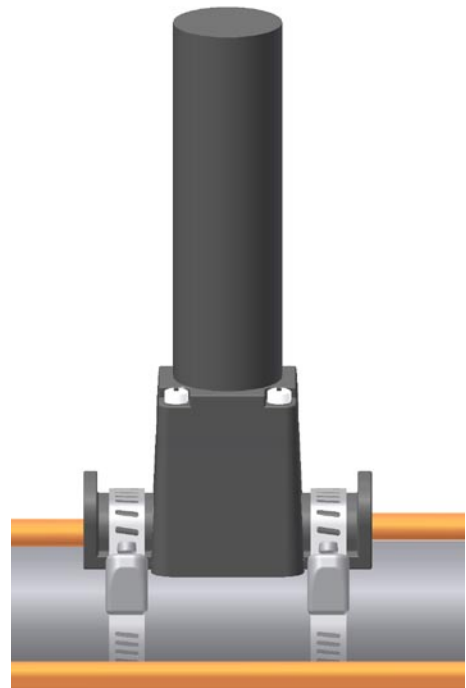
Inline Splice Kit

INSTALLATION PROCEDURES

PCS-H for BSX, HTSX, KSX, HPT, FP

PCS-V for RSX, TSX, VSX

For In-Line Splice or T-Splice Connection Applications



The Heat Tracing Specialists®

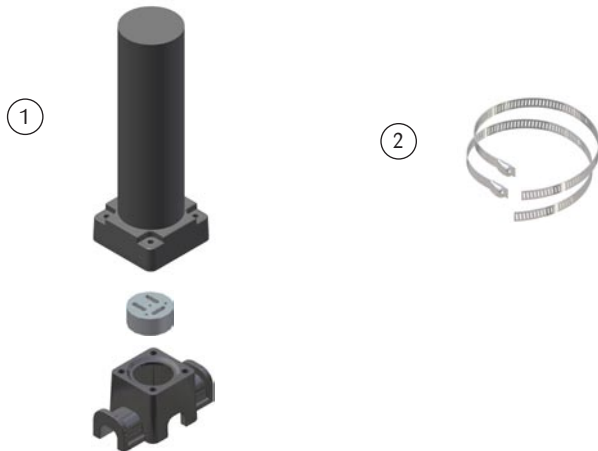
TracePlus™ PCS

The following installation procedures are suggested guidelines for the installation of termination connection systems. They are not intended to preclude the use of other methods and good engineering or field construction practices.

Receiving, Storing and Handling . . .

1. Inspect materials for damage incurred during shipping.
2. Report damages to the carrier for settlement.
3. Identify parts against the packing list to ensure the proper type and quantity has been received.

Kit Contents . . .



Item	Quantity	Description
1	1	Expediter Assembly Splice cap Grommet Expediter Base
2	2	Banding

Order Separately . . .

SCKT Splice Connection Termination Kits (per cable)

SCKT-1D for BSX, RSX, TSX, VSX

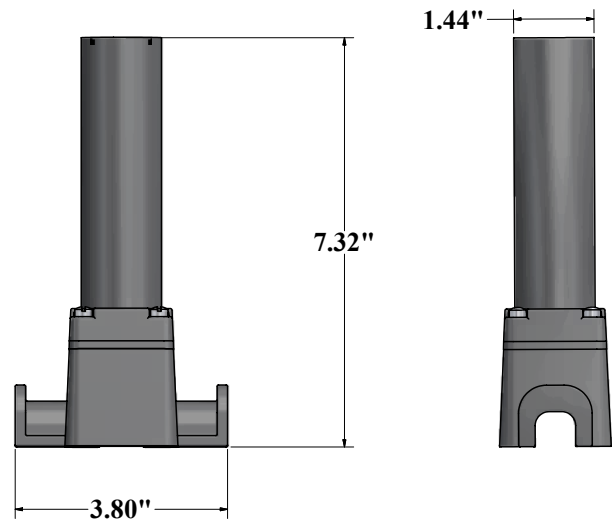
SCKT-2D for KSX, HTSX,

SCKT-3D for HPT, FP



Item	Quantity	Description
1	2	Splice Connection Boots
2	1	Large Wire Nut
3	2	Medium Wire Nuts
4	2	Small Wire Nuts
5	1	RTV Tube
6	1	GRW-G Grommet (PETK-3D Only) not used for TracePlus Kits

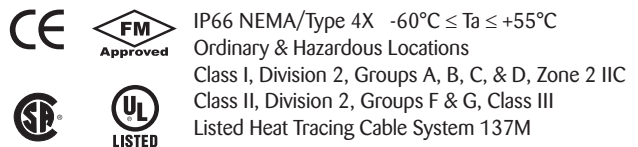
Dimensions . . .



Installation Precautions . . .

- To minimize the potential for arcing and fire caused by product damage or improper installation use ground-fault protection. The National Electrical Code (NEC) and Canadian Electrical Code (CEC) require ground-fault protection of equipment for each branch circuit supplying electric heat tracing.
- Installation must comply with Thermon requirements and be installed in accordance with the NEC, CEC, or any other applicable national and local codes.
- Component approvals and performance ratings are based on the use of Thermon specified parts only. User supplied power connection fittings must be listed or certified for intended use.
- De-energize all power sources before opening enclosure.
- Keep ends of heating cable and kit components dry before and during installation.

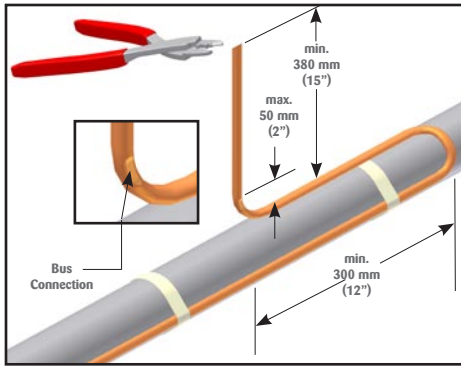
Certifications/Approvals . . .



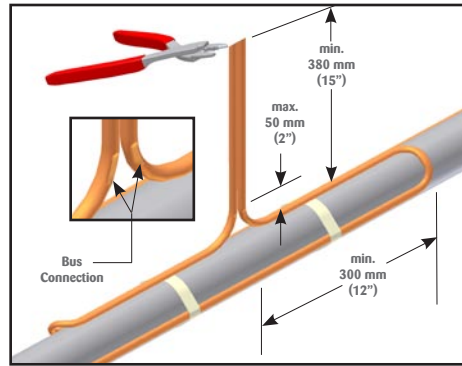
Tools Required . . .



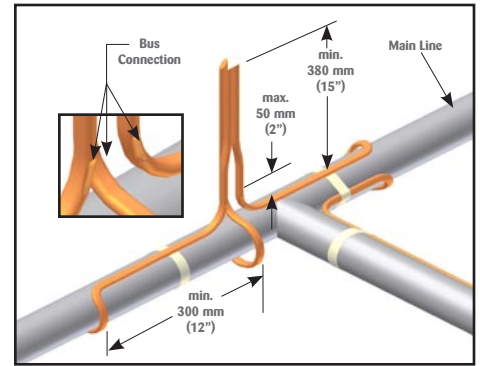
TracePlus™ PCS



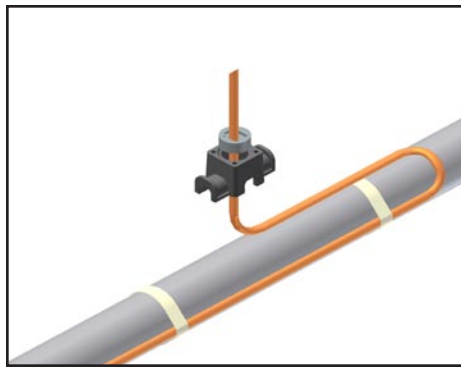
1a. For one, two or three cables. Locate bus connection (HPT and FP only) and cable as shown. Cut end of cable at angle to aid in piercing grommet. Leave additional cable for expansion loop.



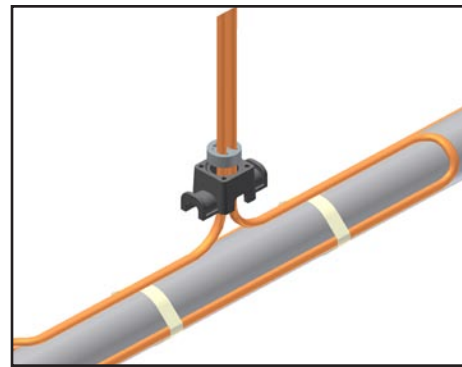
1b. Two cables.



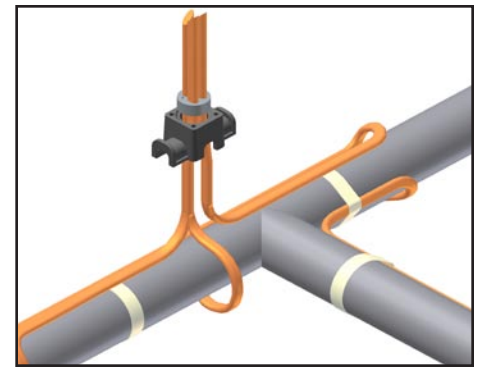
1c. Three cables.



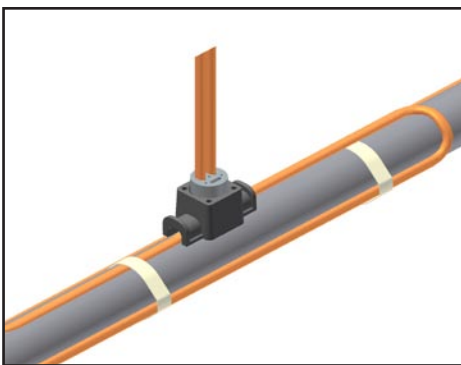
2a. For one, two or three cables. Insert cable into expediter, grommet, and NPT threaded cap.



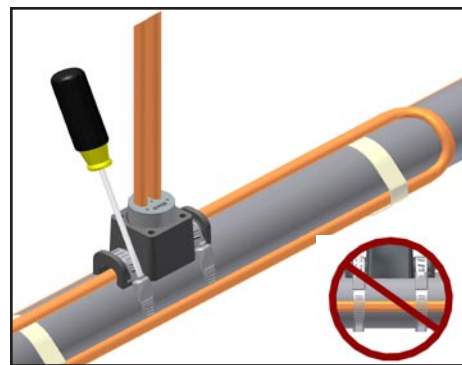
2b. Two cables.



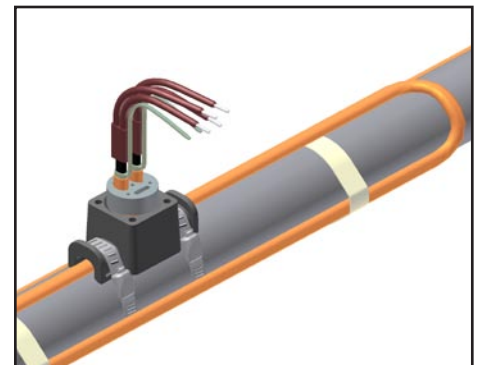
2c. Three cables.



3. Slide expediter toward pipe and route cable through base, grommet, and NPT threaded cap.



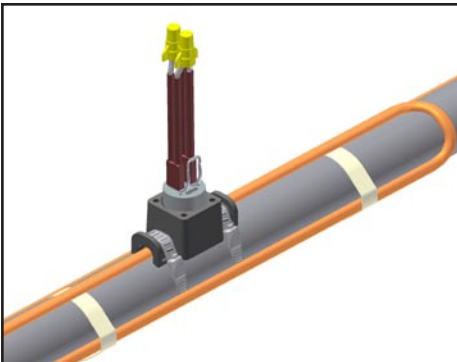
4. Mount expediter to pipe using pipe band. Do not band over cable.



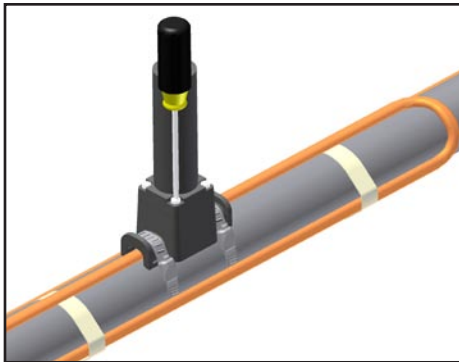
5. Terminate cable with appropriate SCKT termination kit(s). Refer to SCKT installation instructions. Two (2) SCKT will be required if connecting three cables.



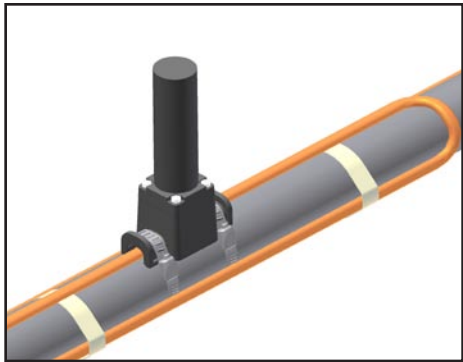
INSTALLATION PROCEDURES



6. Complete system wiring. Connect bus wires using small wire nuts (for BSX, HTSX, KSX and TSX) or medium wire nuts (for RSX, VSX, HPT and FP). Connect braid wires using large wire nut. See wiring details for splice connections.

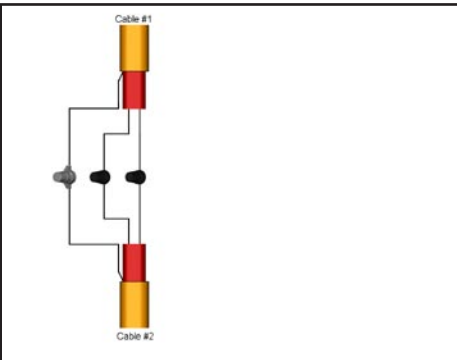


7. Install splice cap using 4 captive screws.

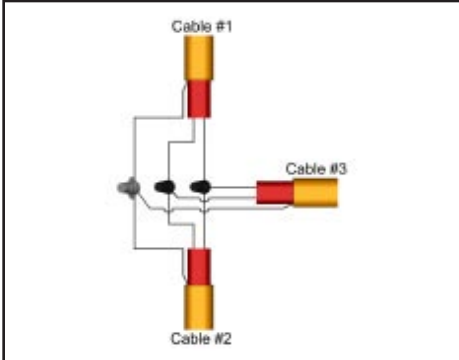


8. Installation Complete

Typical Wiring Details



In-Line Splice



T-Splice

9. For splice connections: Connect bus wires using small wire nuts (for BSX, HTSX, KSX and TSX) or medium wire nuts (for RSX, VSX, HPT and FP). Connect braid wires using large wire nut. See wiring details for splice connections.



ISO 9001
REGISTERED

THERMON . . . The Heat Tracing Specialists®

100 Thermon Dr. • PO Box 609 • San Marcos, TX 78667-0609
Phone: 512-396-5801 • Facsimile: 512-396-3627 • **1-800-820-HEAT**
www.thermon.com In Canada call **1-800-563-8461**

Specifications and information subject to change without notice.